



SIEMENS

Ingenuity for life

Product Guide

VersiCharge™ electric vehicle charging solutions

usa.siemens.com/versicharge



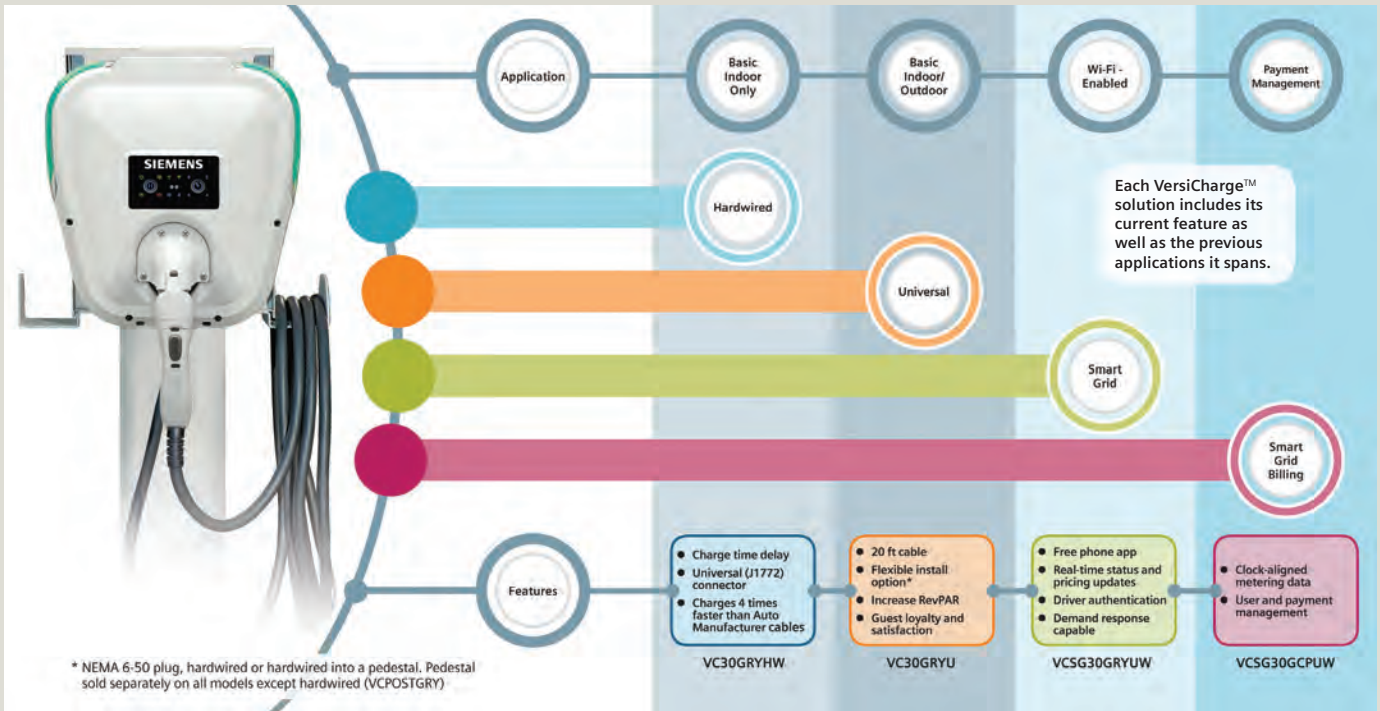
Table of contents:

Residential and commercial options	3
VersiComm cellular gateway and E-Car Operation Center	3
All VersiCharge devices feature	4
Wi-Fi and billing OCPP enabled	5
VersiComm	6
VersiCharge charging station posts and Application information	7
Dimensional drawings	8-10
Technical features	11

SIEMENS

Residential and commercial options.

VersiCharge application features



VersiComm Cellular Gateway

Grouping chargers in parking lots, multi-family dwellings, parking garages, and more has never been easier than with Siemens VersiComm. Connect up to 25 VersiCharge SG units to the VersiComm cellular gateway with Wi-Fi, and transfer data to the cloud using 4G LTE communications. VersiComm comes ready to operate when shipped, is designed in a small 12"Wx 16"Hx10"D NEMA4 enclosure that can be powered by 120 V or 240 V and meets strict UL and FCC standards.

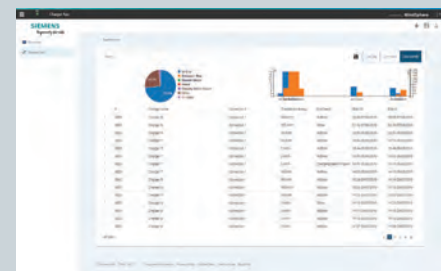
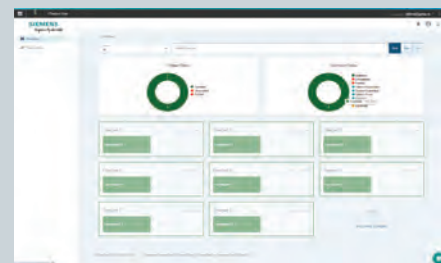


E-Car Operation Center

Expanding electric vehicle adoption and charger management requires a platform providing managed services in a single offering. Siemens offers these features in our E-Car OC cloud-based application. E-Car OC will provide monitoring, trending, alarming, demand control, load balancing, and payment services all in our standard package.

E-Car OC provides infrastructure management for any size eMobility application. This could be an individual parking garage, multi-family dwelling, municipalities/co-op/Utility, or charging station EVSP operators.

E-Car OC is designed around open communications, and allows integration to any charger based on OCPP 1.6 or higher, removing the fear of stranded assets.



All VersiCharge devices feature:

Easy installation

The included mounting bracket and screws make it easy to attach to a wide variety of surfaces. VersiCharge SG is rated for outdoor installations (NEMA 4) and is easily compatible with smart devices employing iOS and Android platforms. Universal VersiCharge units can either be plugged in below or behind the unit. Hardwire installation is possible with all VersiCharge models.

Cost effective option available

The VersiCharge Hardwire (HW) model is a cost-effective option without sacrificing any installation convenience and does not require the unit to be plugged into the wall.

Delay Button

A simple, multi-setting time-delay function has been built into the Siemens VersiCharge that allows the user to delay charging up to eight hours with the press of a button. Charging sessions start automatically after the time-delay.

Charging status halo indicator

An LED halo on every VersiCharge makes reading the charging status of the unit easy – even from a distance.

Maximum power adjustment switch

Using the Siemens VersiCharge, the EVSE power output can be adjusted, and solves the challenge of installing electric vehicle chargers into older homes. The Siemens VersiCharge EVSE power output can be adjusted to match facility capability. Increments range from a maximum power setting of 7.2 kW down to 1.8 kW.

Designed for the user and the environment

The SAE J1772 connector is ergonomically designed for user comfort. The 20' cable is easily stored with the integrated cable management system. An integrated holster keeps dust and debris out of the plug. The charger is made from 60% recycled material, has a matte finish and is rugged, durable, and easy to clean.

Flexible demand response profile

Take advantage of advanced demand response programs and rate programs. All VersiCharge models feature variable amperage demand response which allows consumers to take advantage of utility rate programs. This feature ensures the energy demand from the EVSP can be curtailed with a reduced impact to the end user. For the VersiCharge SG, this feature can be controlled via the SmartPhone App or via the Web.



Wi-Fi-enabled VersiCharge

All VersiCharge Smart Grid (SG) devices have the VersiCharge features including:

Communication

Get information on a SmartPhone or the Web using Siemens free VersiCloud™ application. The Siemens VersiCharge SG with Wi-Fi is equipped with a CEA2045 module to enable communication through the Siemens Cloud to provide the user with information on a SmartPhone or the Web.

Remote control

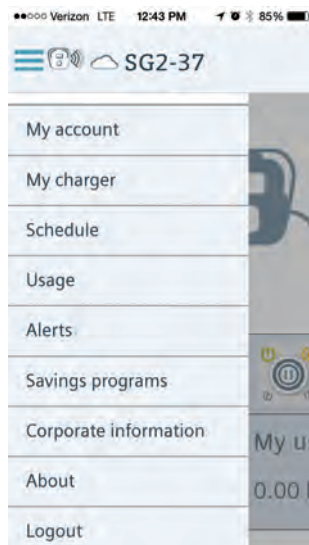
Customers can monitor and control the charging status, charging schedule, and power level remotely through the VersiCharge SG SmartPhone App or by using the Web. Charging an electric vehicle has never been easier than with the Siemens VersiCharge SG.

Built-in metering

Siemens makes it easy to understand the power consumption of your EV. The usage information conveniently displayed via the VersiCharge SG SmartPhone App, or by using the Web, is captured in real time from the revenue-accurate meter integrated into each VersiCharge SG unit.

Highest quality guarantee

Siemens ensures that VersiCharge SG is manufactured to the highest quality standards. The VersiCharge SG is up to date on software revisions and complies with all relevant standards and certifications.



The Siemens VersiCharge SG App has been developed for use with all iOS and Android SmartPhones and tablets, and is also available through a web browser. Monitor charging, see usage trends, alerts and more with Siemens VersiCloud app.

Billing-enabled VersiCharge SG OCPP

The new VersiCharge SG with billing and access management provides the charger owner with the ability to charge car owners for their usage, limit those who can charge, receive custom usage reports, and get real-time monitoring.

Open standards

The new billing-enabled VersiCharge SG uses Open Charge Point Protocol (OCPP) to connect E-Car OC cloud services with third-party networking partners to provide easy payment and access management for station owners. This is the charger of choice for utilities, retail owners, and multi-family buildings.

Ultimate flexibility

The VersiCharge SG charger is built on open standards. Charger owners have the flexibility to change network partners. If they are unhappy with a networking partner, the owner can easily switch the charger to an alternate OCPP-compliant networking partner. Also, if the owner already has OCPP-compliant chargers, the billing-enabled Siemens VersiCharge can either replace current chargers, or work alongside other OCPP-compliant chargers. These open-standards future-proof EV charger installations.



Available on:



VersiComm

All VersiComm devices feature:

Convenience

VersiComm takes data from multiple VersiCharge SG units and sends the data to the cloud using one 4G LTE data plan. This allows charging deployment owners to avoid having to keep track of multiple cellular plans at their chosen installation.

Scalable

A single VersiComm allows up to 25 VersiCharge SG units to be connected depending on the type of data plan. Extra VersiCharge SG units can be easily added to installations without the need for additional cellular modems depending on the data plan and data plan usage.

Cellular Connection

The Siemens VersiComm device is an all-in-one, multi-protocol, intelligent node solution for both Wi-Fi and cellular networks. This allows VersiCharge SG units with Wi-Fi to connect to the node and have their data sent to the cloud using 4G LTE cellular data.

Easy Installation

The VersiComm unit comes ready to operate when shipped. The customer can choose from options for either installation of 120 V or 240 V.

Robust Construction

The housing of the VersiComm is rated at NEMA 4 for indoor and outdoor use. The electronics inside the VersiComm unit are rated for an internal operating temperature range of 25°C to +70°C.

Dependable

Each VersiComm unit meets strict UL and FCC standards to ensure that the unit is built to last.



Ordering Variants

Part number	Description	Voltage
US2:VC1COMMA	VersiComm 4G LTE ATT	120V
US2:VC2COMMA	VersiComm 4G LTE ATT	240V
Part number	Data plan	
US2:VCDATA53	ATT 5GB Data Plan for 3 years	
US2:VCDATA55	ATT 5GB Data Plan for 5 years	
US2:VCDATA103	ATT 10GB Data Plan for 3 years	
US2:VCDATA105	ATT 10GB Data Plan for 5 years	
US2:VCDATA153	ATT 15GB Data Plan for 3 years	
US2:VCDATA155	ATT 15GB Data Plan for 5 years	

VersiCharge charging station posts

Mount VersiCharge

Enjoy the freedom of installing any VersiCharge EV charger wherever it is needed with a freestanding post.

Choose from the single post (part number US2:VCPOSTGRY) or dual post (part number US2:VCPOSTGRY2).

Install a single post for one VersiCharge or plan for future needs with a dual post; mount one VersiCharge now and, whenever it is required, add another.

Secure your charger

The convenient loop design is included in the basic single post design, so you can easily add a lock of choice to secure the charger to the post. In the dual post design, chargers can be locked through 10-32 tamper-resistant screws.

PV fade resistant and rust resistant finish

The VersiCharge Post is ready to withstand tough weather conditions like PV fading and saltwater spray. It is built to the standard of all other Siemens NEMA 4R enclosures, and can be located either indoors or outdoors.

Multiple wiring options

The power supply can be run underground up through the bottom of all the VersiCharge Post options.

Single post: Power to the charger will be wired at the back of the unit to the power supply coming in through the middle of the post.

Dual post: Wires to supply power to the charger(s) may be brought in through the side of the post by drilling a hole for the conduit to connect to the main power supply which is routed through the inside of the post.

Cable management system

Basic Single Post design – an arm located on either side of the post holds the cable when not in use. (Note: The cable retraction system is not available for the Single Post design.)

Cable retraction system

The dual post design allows one or two chargers to be mounted on the posts with a cable retraction system for each charger. (Note: The cable retraction system is not available for the Single basic post).

Catalog number: US2:VCPOSTGRY and US2:VCPOSTGRY2 are compatible with US2:VC30GRYU, US2:VCSG30GRYUW and US2:VCSG30GCPUW



Basic single post

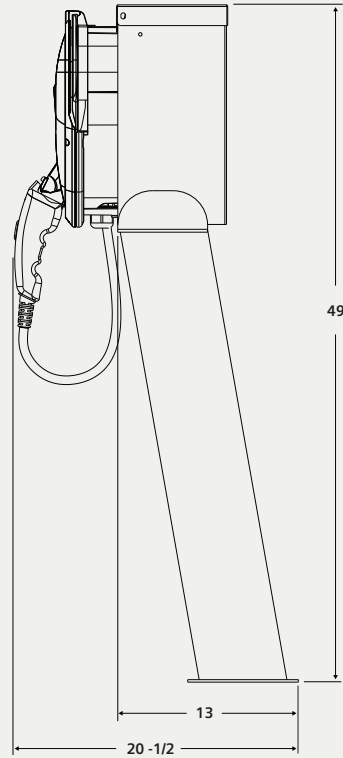
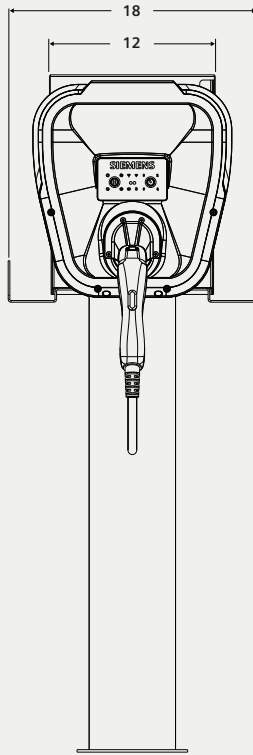


Dual post with cable retraction system

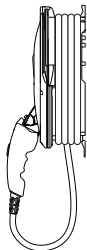
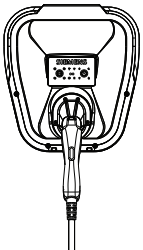
Basic Single Post with Cable Management System



Dimensions: Basic Single Post Part No.: US2:VCPSTGRY



Wall Mounted EVSE



14.5" W x 16.0" H x 6.5" D
(front of unit excluding connector)
15" minimum clearance
recommended for connector
when inserted.

Mounting Bracket



2.5" x 16.9"
Install at a minimum of 18"
off the ground

VersiCharge electric vehicle chargers

Part number	Model	Output amperage	Color	Feeder Location
US2:VC30GRYU	Universal VersiCharge	30A	Grey	Rear/Bottom/Hardwired
US2:VC30GRYHW	Hardwired VersiCharge	30A	Grey	Hardwired
US2:VCSG30GRYUW	Wi-Fi VersiCharge	30A	Grey	Rear/Bottom/Hardwired
US2:VCSG30GCPUW	OCPP and Wi-Fi VersiCharge	30A	Grey	Rear/Bottom/Hardwired

Accessories

Part number	Description	Color
US2:VCMNTGBRK	Spare parts mounting bracket	Black
US2:VCPSTGRY	Basic VersiCharge Single Post with fixed arm hangers (Cable retraction system not available.)	Grey
US2:VCPSTGRY2	VersiCharge Dual Post (Can support one or two chargers and two cable retraction systems.)	Grey
US2:VCCMSSP	VersiCharge Cable Retraction System, 20ft cable	Grey

NOTE: Please order the US2:VCCMSSP in conjunction with US2:VCPSTGRY2 to get the complete assembly for pedestal and retractor

Dual Post



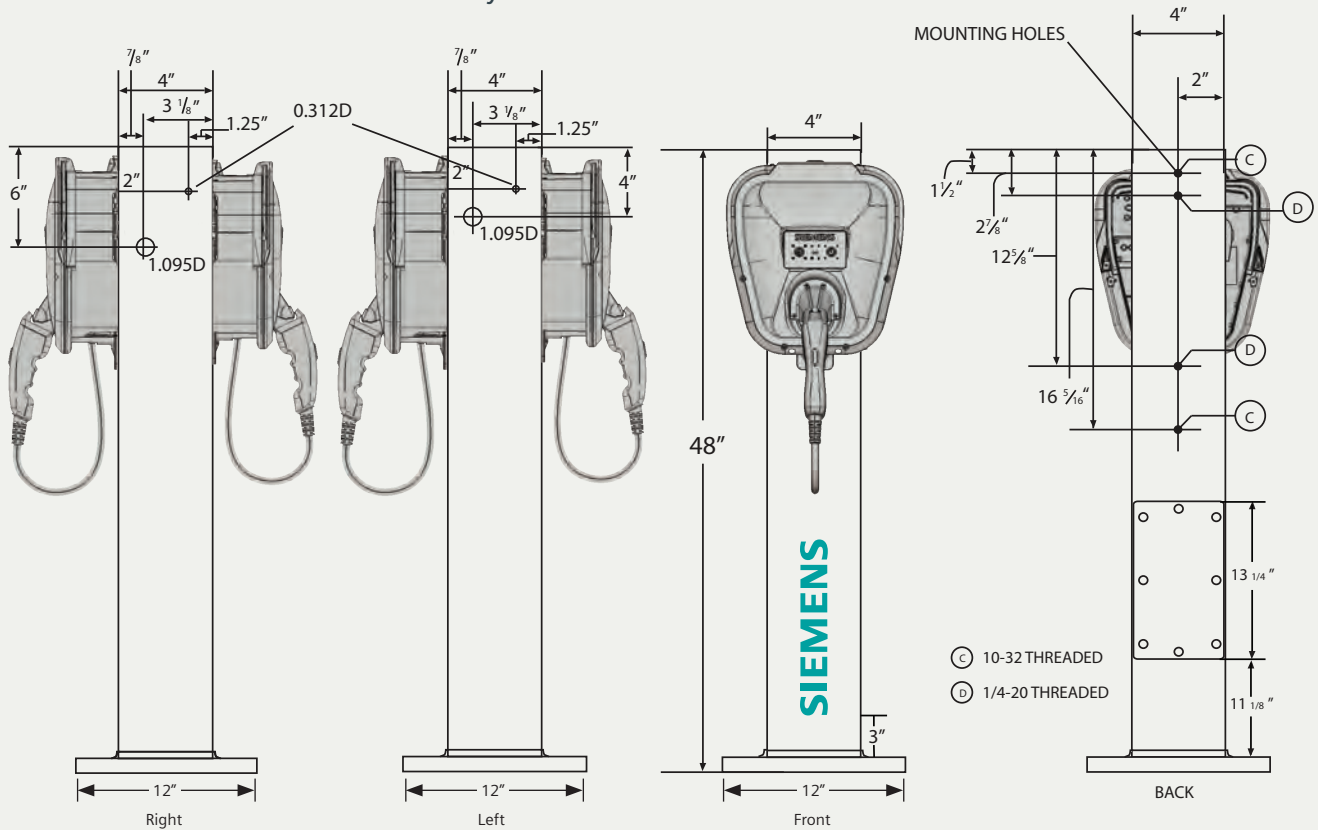
Dual Post with one cable retraction system



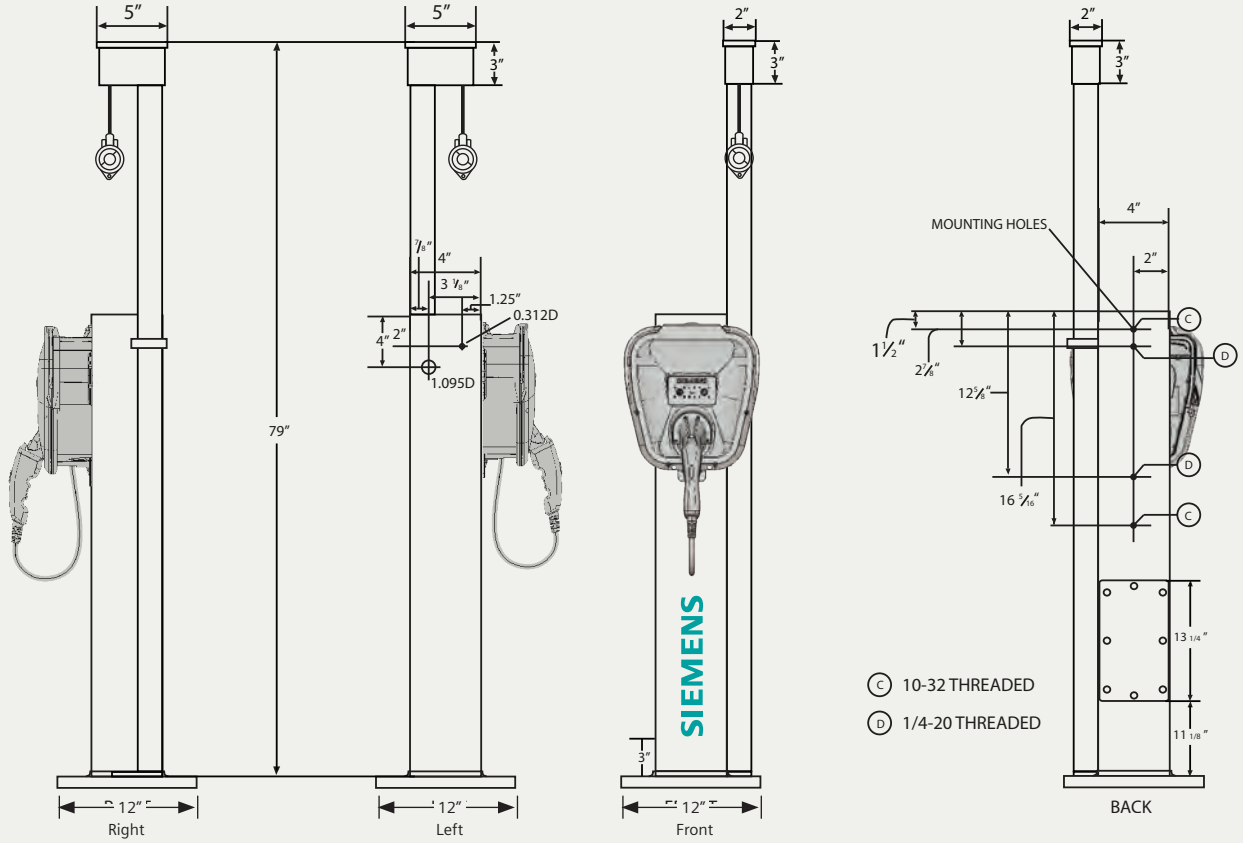
Dual Post with two cable retraction systems



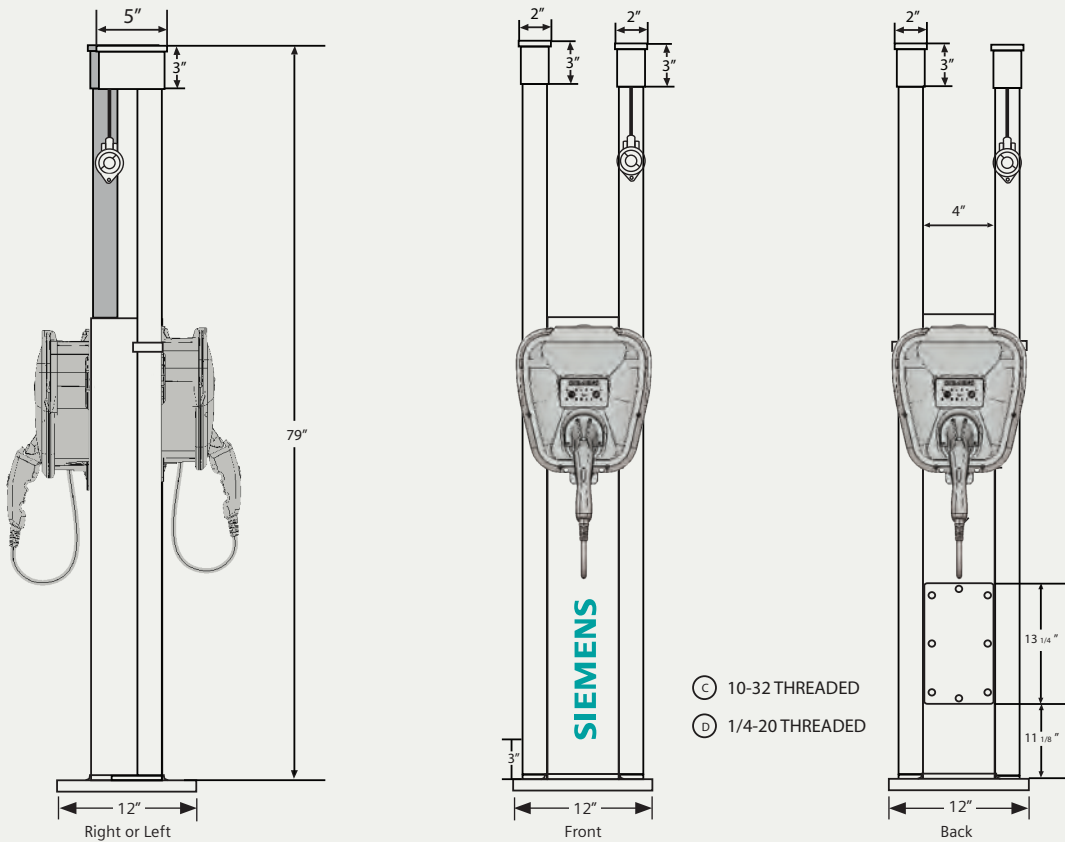
Dimensions: Dual Post – No cable retraction system Part No.: US2:VCPSTGRY2



Dimensions: Dual post with one cable retraction system and 20ft cable Part No.: US2:VCPOSTGRY2 and US2:VCCMSSP – Qty. 1



Dimensions: Dual post with two cable retraction systems and 20ft cable Part No.: US2:VCPOSTGRY2 and US2:VCCMSSP – Qty. 2



Technical Features

	Attribute	Hardwired Model	Universal Model	SG Model	SG OCPP Model
Essentials	Part Number	US2:VC30GRYHW	US2:VC30GRYU	US2:VCSG30GRYU	US2:VCSG30GCPUW
	Input voltage	208 - 240 VAC			
	Output Amperage	30 Amps			
	Output power	1.8 kW to 7.2 kW			
	Standby Power	Less than 6 Watts		Less than 9 Watts	
	Cord length	14 ft	20 ft		
	Wall weight	12.5 ft	14.5 ft		
	Dimensions	14.5"W x 16.0"H x 6.5"D			
	Enclosure	NEMA 1	NEMA 4		
	Plug in installation	No	Yes (below or behind unit)		
	Permanent installation	Yes			
	Communication hardware	CTA2045 Interface without communication module		CTA2045 Interface with communication module	
	Network connection	N/A		Wi-Fi	Wi-Fi with OCPP
	Radio	N/A		High Performing 2.4 GHz IEEE 802.11 b/g/n	High Performing 2.4 GHz IEEE 802.11 b/g/n
	Connectivity	CTA2045 Interface without communication module		Communicated through local wireless network to VersiCharge SG Cloud	Communication to E-Car OC third-party networking partners through Open Charge Point Protocol (OCPP)
	Metering accuracy	N/A		+/- 0.5% standard (custom precision variant available)	
Reporting parameters	N/A		Power consumption, energy, events		
Demand response compatible	Yes, with accessory		Yes, with appropriate communications module	Yes, with appropriate communications module	
Warranty	3 years. Does not include shipping to/from Siemens. See Warranty for complete terms and conditions.				
Electrical	Circuit requirement	40 Amperes*		40 Amperes**	
	Infrastructure Plug	NEMA 6-50			
	Input power connections	Line 1, Line 2, Earth Ground			
	Recommended branch break	40 Ampere double pole (Siemens: Q240 plug in type, B240 bolt on type)			
Mechanical	Connector	SAE J1772			
Safety and Operational	EMC	FCC Part 15 Class B			
	Operating temperature	-30°C to +50°C			
	Storage temperature	-40°C to +60°C			
	Operating humidity	Maximum 95% non-condensing			
	Ground fault detection	5 mA CCID with auto retry			
Standards Compliance	UL, SAEJ1772, NEC® 625, UL Listed (UL2594, UL2202, UL2231, UL1998, UL991, UL2251), NEC625, SAEJ1772, J223, J2836, J2847, FCC Part 15 Class B, ISO 15118*, OCA self-certified, ANSI compliant, Open ADR tested, CUL				

* Adjustment of amperage output possible via dial in the unit, will effect the power output of charger.

**Adjustment of amperage output possible via dial in the unit or via the app, will effect the power output of charger.

**Published by
Siemens Industry, Inc. 2019.**

Siemens Industry, Inc.
5400 Triangle Parkway
Norcross, GA 30092

For more information, please contact
our Customer Support Center.

Phone: 1-800-333-7421

E-mail: info.us@siemens.com

usa.siemens.com/versicharge

Order No.: SIDS-B40017-00-4AUS
Printed in U.S.A.

© 2019 Siemens Industry, Inc.

The technical data presented in this document is based on an actual case or on as-designed parameters, and therefore should not be relied upon for any specific application and does not constitute a performance guarantee for any projects. Actual results are dependent on variable conditions. Accordingly, Siemens does not make representations, warranties, or assurances as to the accuracy, currency or completeness of the content contained herein. If requested, we will provide specific technical data or specifications with respect to any customer's particular applications. Our company is constantly involved in engineering and development. For that reason, we reserve the right to modify, at any time, the technology and product specifications contained herein.